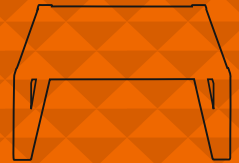




DRAENERT



**MONTAGE
ASSEMBLY**
1022 KLASSIK

ASSEMBLY

1022 KLASSIK

CONTENT OF DELIVERY

(remains with the customer)

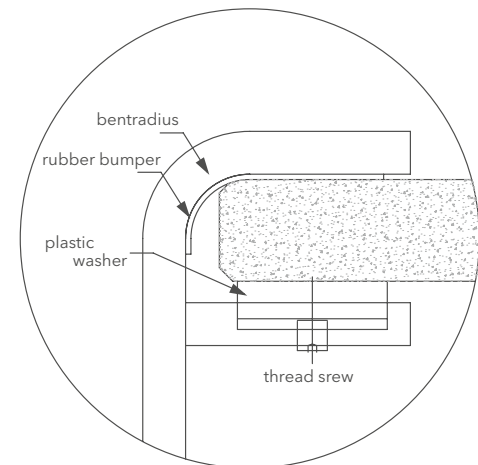
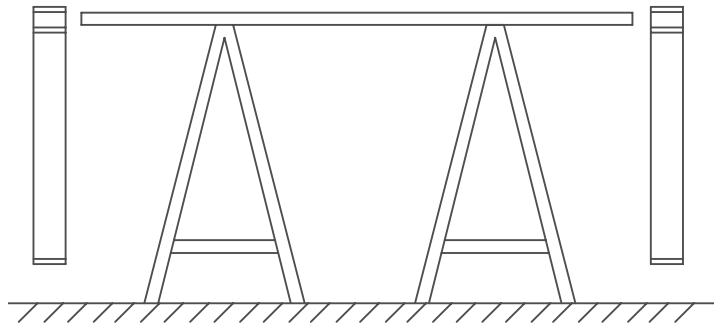
- 1 glass table top
- 2 skids, including 2 x thread pins
- material information



PERSONS REQUIRED FOR ASSEMBLY: 2 PERSONS

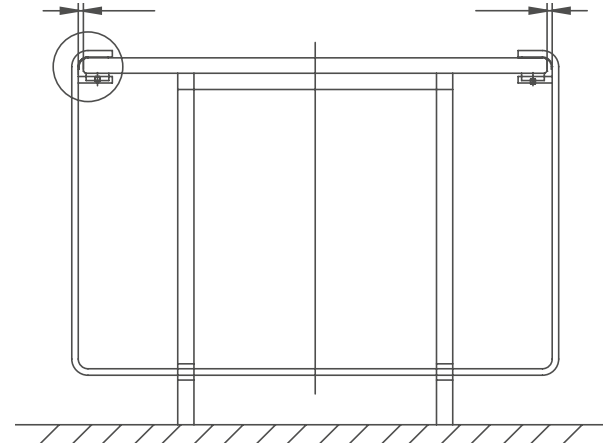
1 | Place the glass top on a trestle or a higher substructure.

ATTENTION Do not press the glass top into the bending radius of the brackets.



2 | Remove the tape from the skids and loosen the grub screws with the hexagon socket.

Please check before the assembly, if there is a rubber layer in the bracket. Slide the frames sideways onto the glass tabletop parallel to the edge of the glass. The skids shall have always the same distance to the glass top on both sides.



3 | Tighten the previously loosened grub screws with the plastic washers until the skids do not move any more.

ATTENTION The grub screws shall not be tightened too much as the glass could break.

The table is now ready assembled.

OPERATION

The glass tables can be used robustly. BUT, please only pull these tables across the floor in the same direction as the skids lie (pict. 3) never also sideways. A check should be made from time to time to ensure that the skids are still firmly attached. Skids which are not firmly attached could work loose and become dangerous for the glass top and affect the table's safe standing.

CARE

The table is maintenance-free. For cleaning the glass plates you may order with us an according cleaning and care agent for high-quality glass surfaces. Kindly pay attention to the material information!

DRAENERT GMBH

STEIGWIESEN 3

88090 IMMENSTAAD/BODENSEE

GERMANY

FON +49 (0) 7545 - 2080

info@draenert.de

www.draenert.de

FOLLOW US



STAND 09/2020